

G6830-30MK Million Lock Interchangeable Cylinder Series

Features

- Interchangeable cylinder lock series with master key system
- Easy to replace the cylinder by using the change key **GMD-K1**
- Reversible key can be removed when locked or unlocked (180° rotation)
- 7,800 key changes available (max. 750 key changes per master key)
- Keys can be shared with *interchangeable cylinder lock series*
- Master key (sold separately) also available

Notes

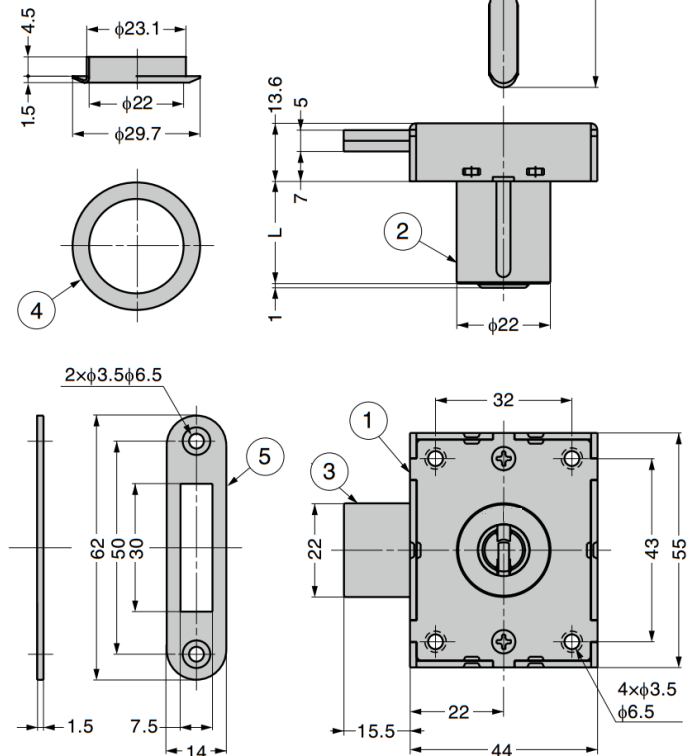
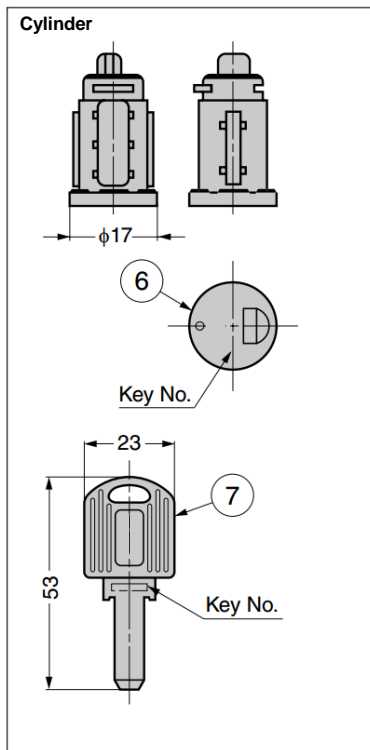
- To remove the cylinder **GMD-N1** (sold separately), change key **GMD-K1** (sold separately) is required. Change key **GMD-K1** also serves as a master key system

Parts Included

- Countersunk head wood screw 2.7×13, 3.1×22 mm (SUS)



※Cylinder and key are sold separately



Body

Part No.	Finish	Cylinder Diameter	Door Thickness
G6830-30MKGA	Gold, Paint / Clear	22	30
G6830-30MKDN	Satin Nickel		

No.	Part Name	Material	Finish/Colour
①	Body	Stainless Steel (SUS304)	Satin
②	Housing	Zinc Alloy (ZDC)	GA: Gold, Paint/Clear DN: Satin Nickel
③	Ring	Brass	
④	Dead Bolt	Stainless Steel	-
⑤	Strike	(SUS304)	Satin
⑥	Cylinder* (Sold Separately)	Stainless Steel (SUS304)/ Zinc Alloy (ZDC)	Barrel Polished/ Coloured Zinc Chromate
⑦	Key (Sold Separately)	Brass/ABS	Nickel/Black

Sold Separately

Item	Part No.	Remarks
Cylinder	GMD-N1-B	Keyed Differently
	GMD-N1-D	Keyed Alike
Master Key / Change Key	GMD-MK1	Master Key
	GMD-K1	Change Key
Spacer	G6810-SP	-